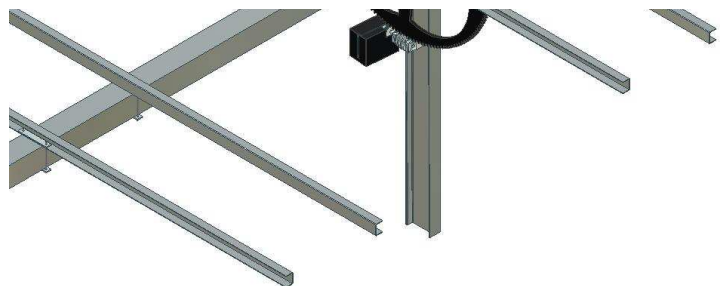
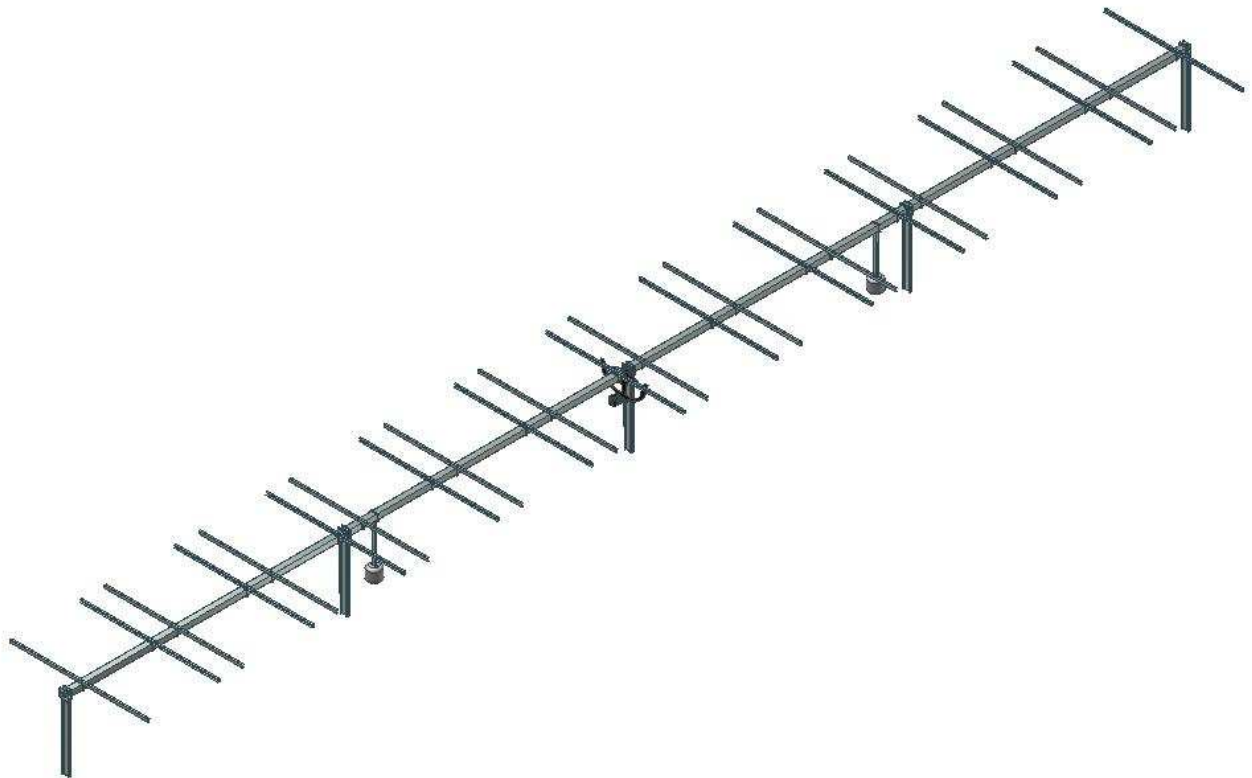




Trackers Feina SL
Fàbrica el Molinet s/n
08250 Sant Martí de Torroella (Barcelona)
Tel: 034 93 8361827 / 034 93 8751001
feina@tracker.cat
www.tracker.cat

FOUNDATION FOR THE SF70-1EH TRACKER



It is a matter of anchoring the 5 legs, by means of a special machine to anchor this type of beam, which are nothing more than IPN-140 beams.

The beam stands out of the ground 1,300 mm and is anchored a minimum of 1,500 mm into the ground. It depends on the iron that it is welded to and the strength of the ground.

Normally, the beam is welded to the iron sheet, some 5 mm thick and some 400 mm wide, in the buried part, so that the ground can bear the forces.

The width and the depth depend on the strength of the ground, and this will have to be calculated by the company that anchors the beam, who will take the lead with this subject. This company has to know, however, that the beam must be able to bear a wind force of 1,400 kg per 1.5 meters of height, that is to say, a torque of 21,000 Nm.

